

BAY Valves ApS	Bay@bayvalves.com	Tel.: +45 7022 1892	Fax.: +45 7014 1892
Drawing No.:	90005	Date: 11/10/2011	Page 1 of 1
Description:	Pressure vacuum valve	Designation:	VAPV 1225

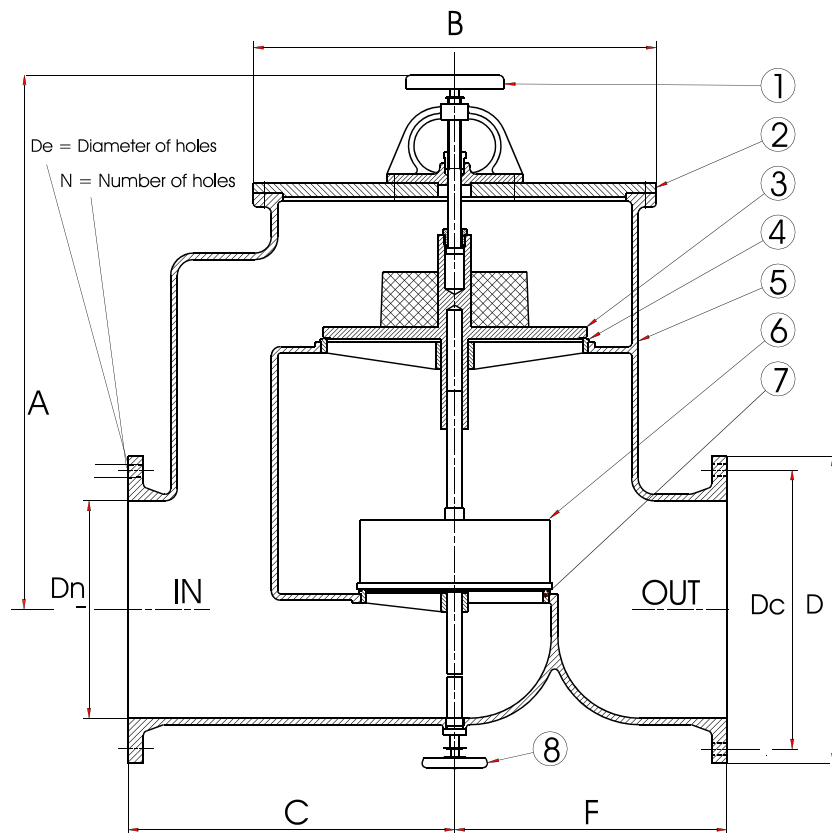
1	Check lift
2	Cover
3	Vacuum side disc
4	Vacuum side seat
5	Housing

6	Pressure side disc
7	Pressure side seat
8	Check lift

Available in all material combinations e.g. from Cast iron to Duplex stainless steel.

Approved according to IMO MSC / Circ 677
Provided fitted with a flame arrester at Outlet

Type approval according to MED 96/98 latest 2002/75 EC provided by Bureau Veritas under Cert. No. 19876/AO EC



A	B	C	D	F	Dc	Dn	N	De	SIZE
215	115	95	185	70	145	65	4	18	65
265	145	115	200	85	160	80	8	18	80
335	180	145	220	110	180	100	8	18	100
410	225	180	250	135	210	125	8	18	125
480	270	215	285	165	240	150	8	22	150
550	300	240	340	180	295	200	8	22	200
760	500	375	445	250	400	300	12	22	300
950	600	450	565	360	515	400	16	26	400
950	600	500	670	400	620	500	20	26	500
950	600	520	780	440	725	600	20	30	600

BAY VALVES

BAY Valves ApS • DK-5800 Nyborg • Denmark