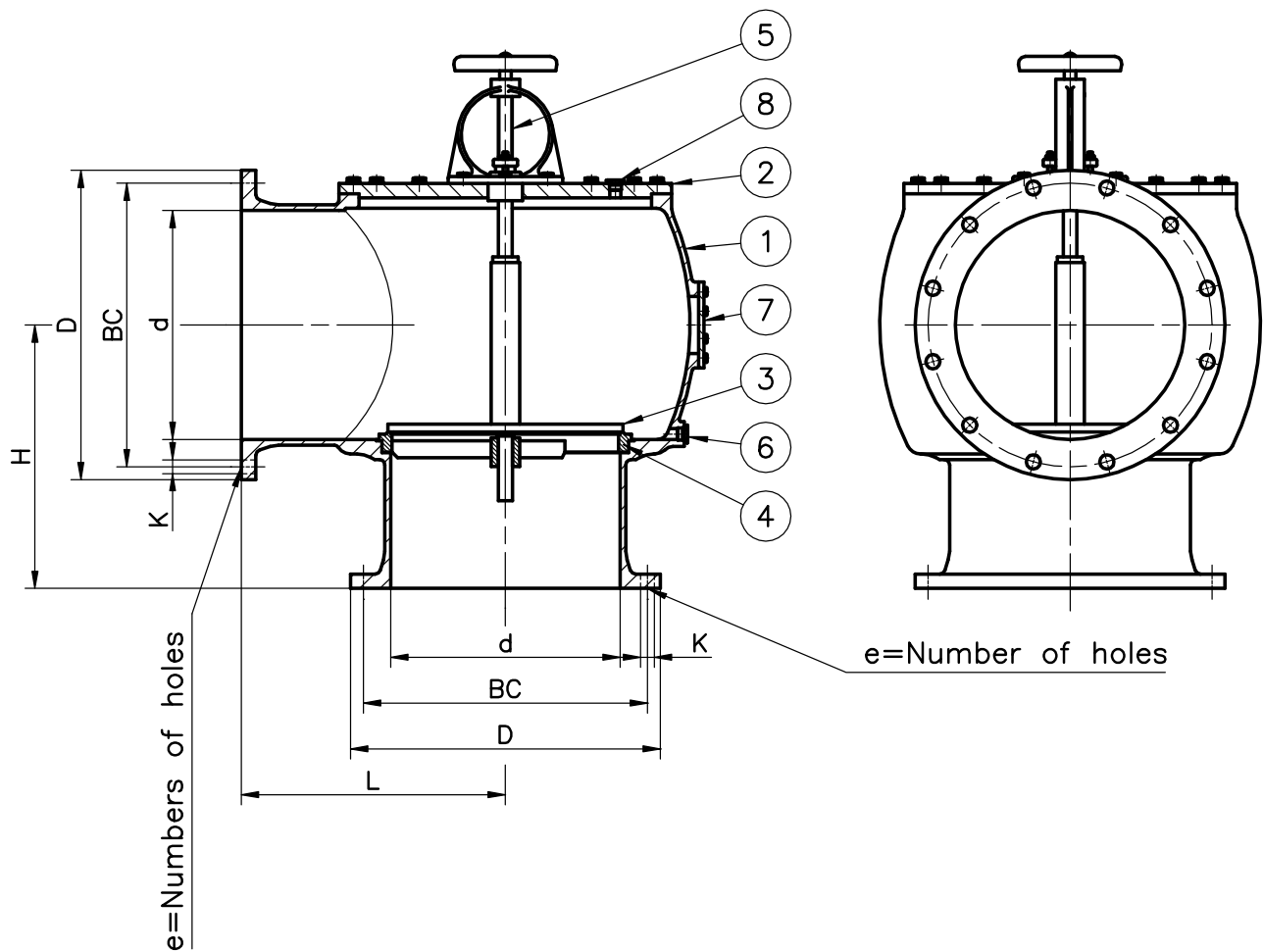


BAY Valves ApS	Bay@bayvalves.com	Tel.: +45 7022 1892	Fax.: +45 7014 1892
Drawing No.:	90009	Date: 31/03/2009	Page 1 of 1
Description:	Pressure valve	Designation:	VAPR 1235

1	Valve body	GGG 40
2	Cover	Steel
3	Valve disc	AISI 316
4	Valve seat	AISI 316
5	Check-lift	AISI 316

6	Drain	AISI 316
7	Inspection hatch	Steel
8	Flushing port	AISI 316



L	H	D	Bc	d	e	k	SIZE
250	250	340	295	200	8	22	200
500	500	445	400	300	12	22	300
650	650	565	515	400	16	26	400
950	950	780	725	600	20	30	600

Flange data based on DIN pn 10 - for reference only

BAY VALVES

BAY Valves ApS - Skaboeshusevej 175 - 5800 Nyborg - Denmark