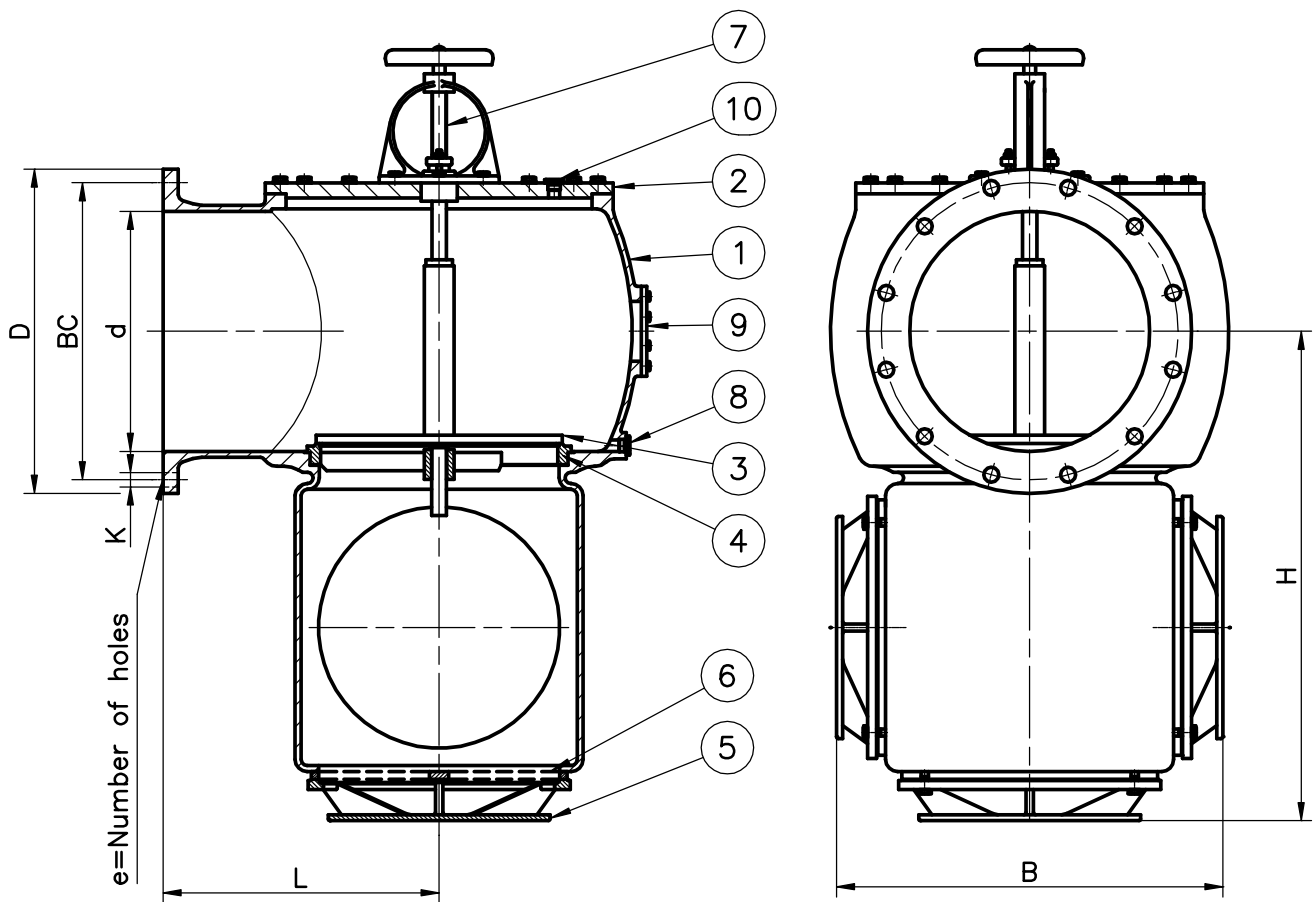


BAY Valves ApS	Bay@bayvalves.com	Tel.: +45 7022 1892	Fax.: +45 7014 1892
Drawing No.:	<b>90010</b>	Date: 31/03/2009	Page 1 of 1
Description:	<b>Vacuum valve with flame arrester</b>	Designation:	VAVF 1245

<b>1</b>	Valve housing	GGG 40
<b>2</b>	Cover	Steel
<b>3</b>	Vacuum side disc	AISI 316
<b>4</b>	Vacuum side seat	AISI 316
<b>5</b>	Flame filter cover	AISI 316

<b>6</b>	Flame filter	AISI 316
<b>7</b>	Check lift	AISI 316
<b>8</b>	Drain plug	AISI 316
<b>9</b>	Inspection hatch	Steel
<b>10</b>	Flushing port	AISI 316



L	H	B	D	Bc	d	e	k	SIZE
250	550	410	340	295	200	8	22	<b>200</b>
450	770	650	445	400	300	12	22	<b>300</b>
650	970	850	565	515	400	16	26	<b>400</b>
950	1250	1000	780	725	600	20	30	<b>600</b>

Flange data based on DIN pn 10 - for reference only

**BAY VALVES**

BAY Valves ApS - Skaboeshusevej 175 - 5800 Nyborg - Denmark