

BAY Valves ApS	Bay@bayvalves.com	Tel.: +45 7022 1892	Fax.: +45 7014 1892
Drawing No.:	<b>90001</b>	Date: 11/10/2011	Page 1 of 1
Description:	<b>High velocity valve with integrated gas freeing unit</b>	Designation:	HI Jet ISO II 1202

70001	Pressure side high velocity valve
70002	Valve housing
70003	Vacuum side weight loaded valve
70004	Vacuum side flame screen
70005	Gas freeing unit

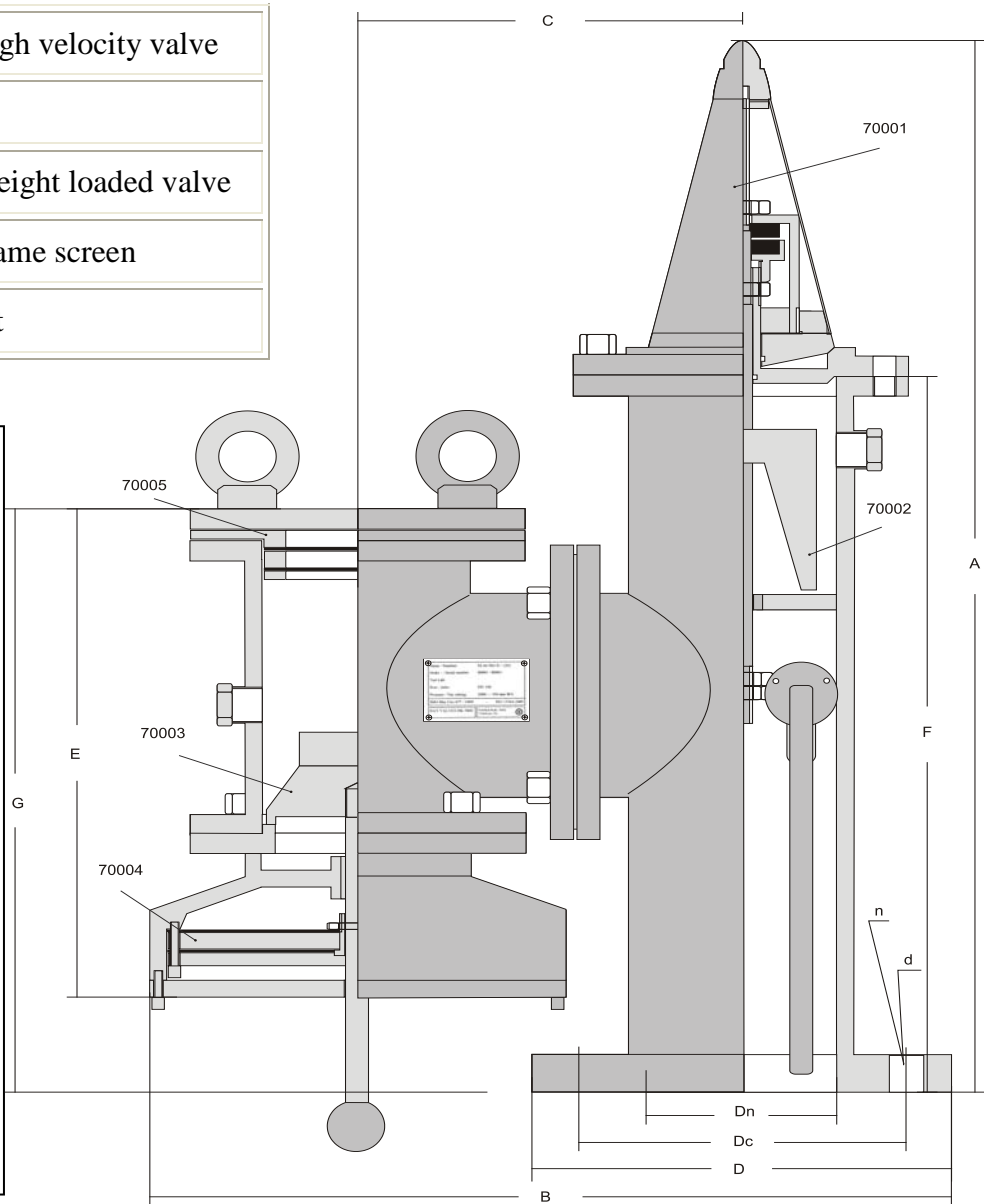
Available in all material combinations e.g. from Cast iron to Duplex stainless steel.

---

Approved according to IMO MSC / Circ 677/1009 implementing ISO 15364.

---

Type examination according to MED 96/98 latest 2002/75 EC provided by Bureau Veritas under Cert. No. 19876/AO EC



May be supplied with flanged spool pieces.

A	B	C	D	Dc	Dn	E	F	G	n	d	SIZE
415	260	115	185	145	65	190	275	215	4	18	<b>65</b>
510	320	145	200	160	80	230	340	265	8	18	<b>80</b>
635	400	180	220	180	100	290	425	335	8	18	<b>100</b>
790	500	225	250	210	125	360	525	410	8	18	<b>125</b>
950	600	270	285	240	150	435	635	500	8	22	<b>150</b>
1200	750	300	340	295	200	500	800	600	8	22	<b>200</b>
1500	1000	500	445	400	300	750	1200	900	12	22	<b>300</b>
1900	1200	600	565	515	400	1000	1500	1200	16	26	<b>400</b>

**BAY VALVES**

BAY Valves ApS • DK-5800 Nyborg • Denmark