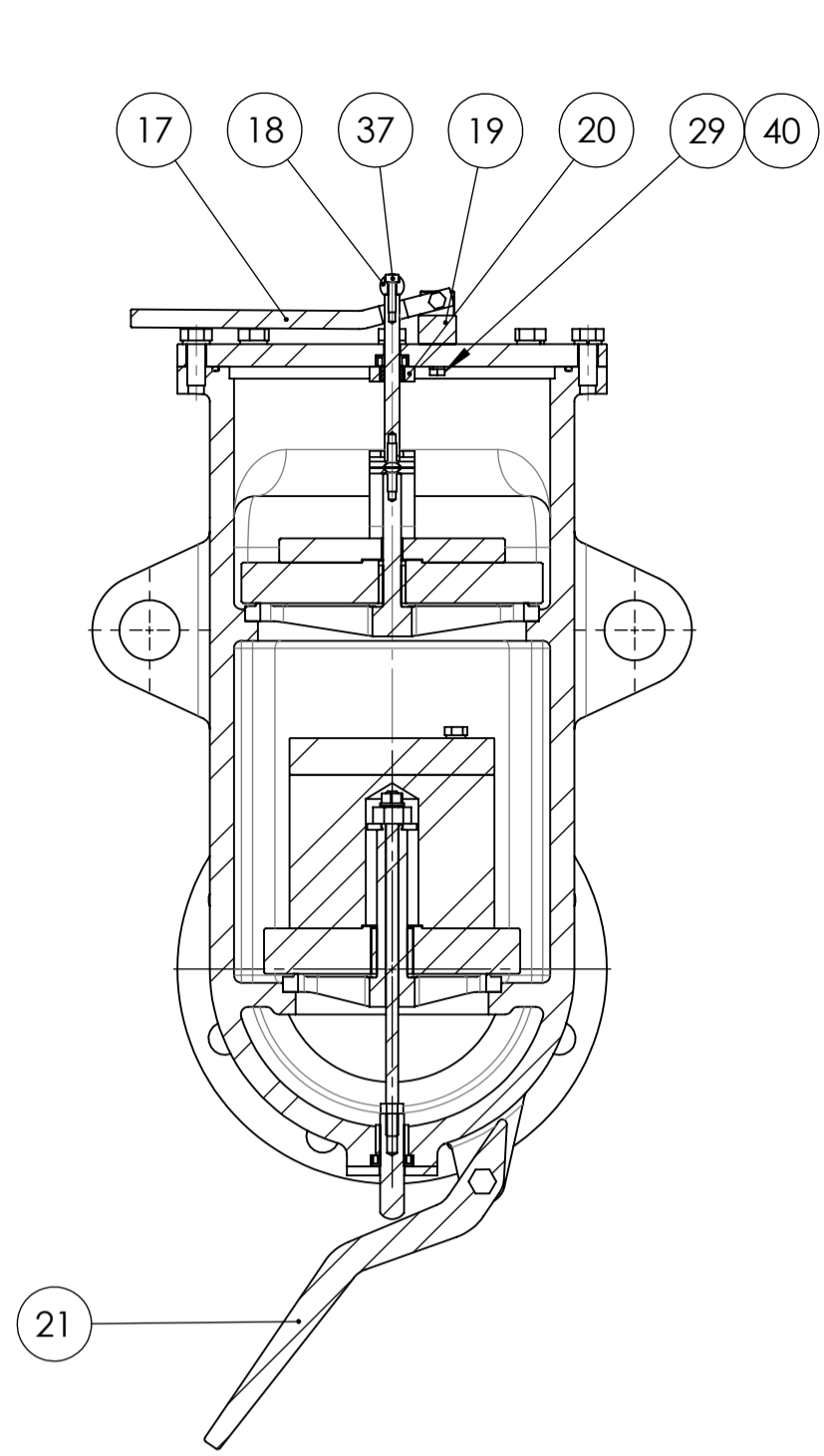
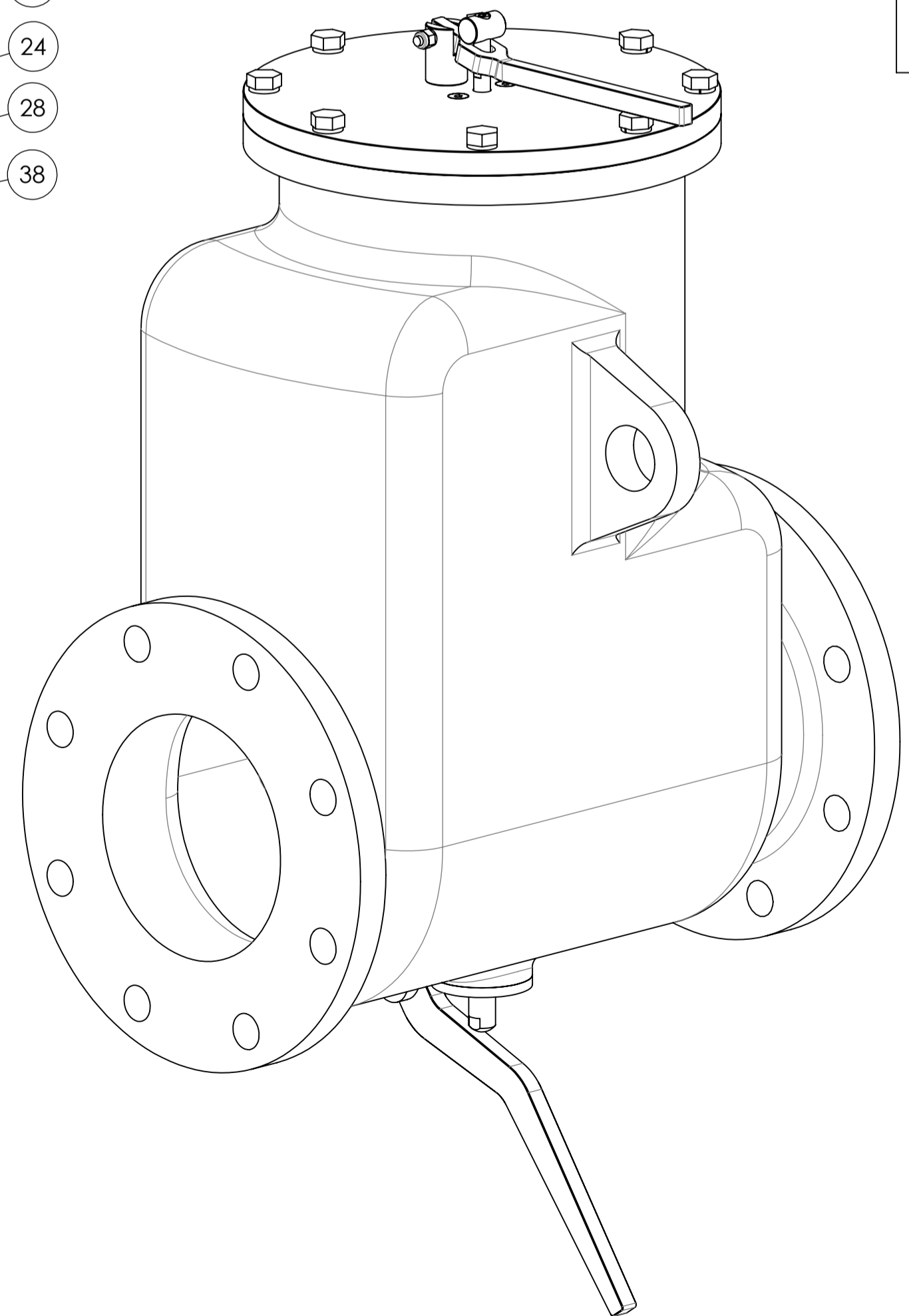
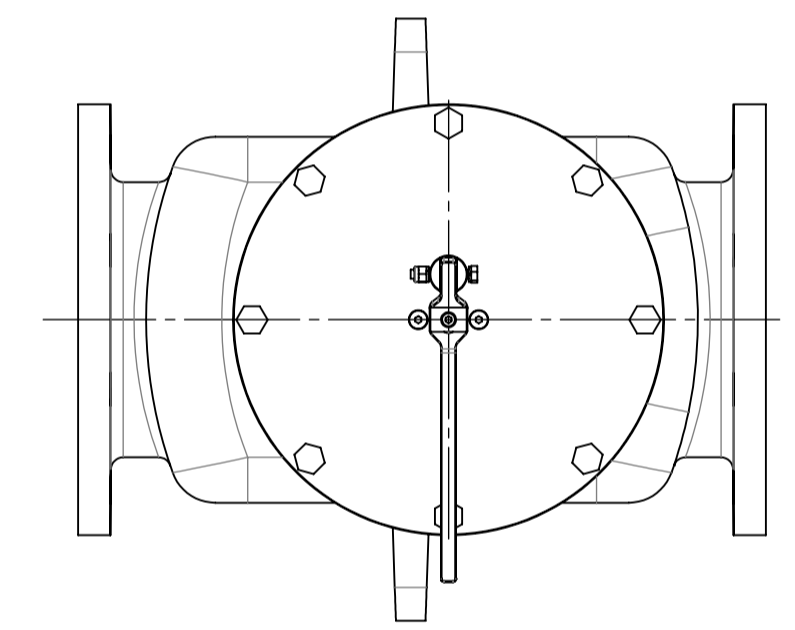
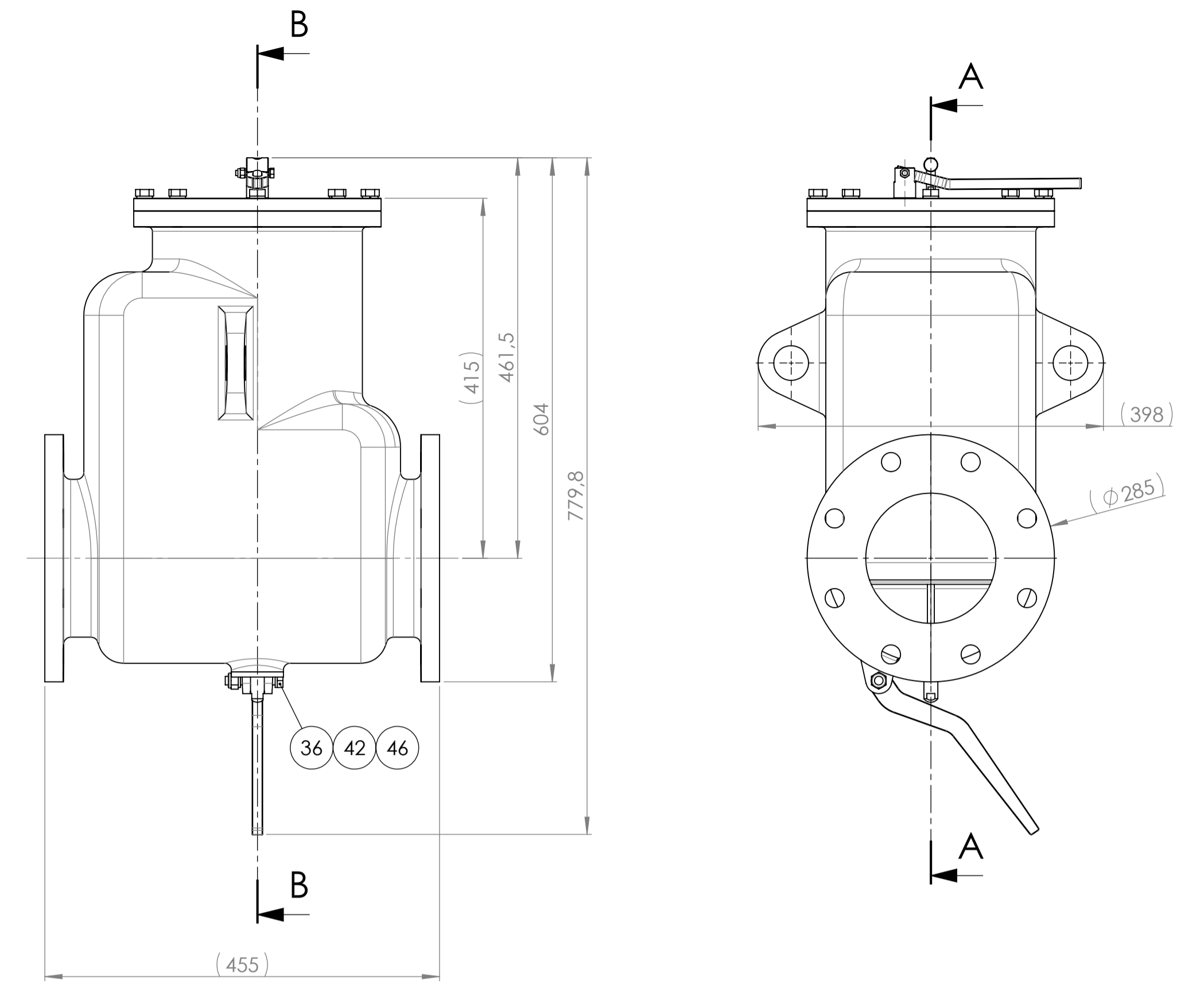


SECTION A-A  
SCALE 1 : 2



SECTION B-B



Pos.	Qty.	Drawing No.	Description	Weight (kg)
1	1	10259	Valve house	99.1
2	1	10472	Pressure seat	0.76
3	1	10262	Pressure disc	5.16
4	1	10264	Pressure weight primary	10.75
5	1	10511	Pressure weight secondary	2.44
6	1	10475	Pressure check lift shaft 1	0.1
7	1	10476	Pressure check lift shaft 2	0.1
8	1	10333	Check lift flange	0.11
9	1	10477	Pressure lock washer	0.0
10	1	10474	Vacuum seat	0.85
11	1	10263	Vacuum disc	6.56
12	1	10266	Vacuum weight	2.14
13	2	10275	Vacuum lock washer	0.0
14	1	10480	Vacuum check lift bracket	0.2
15	1	10478	Vacuum check lift shaft	0.06
16	1	10483	Top cover	7.28
17	1	10479	Vacuum check lift handle	0.22
18	1	10482	Vacuum check lift cross pin	0.033
19	1	10481	Vacuum check lift bracket 2	0.095
20	1	10276	Bearing block	0.1
21	1	10484	Pressure check lift handle	0.55
22	1		Bronze bushing Ø10xØ16x10	0.010
23	1		Bronze bushing Ø12xØ18x25	0.030
24	1		Bronze bushing Ø16xØ22x20	0.030
25	1		Bronze bushing Ø20xØ28x30	0.077
26	1		O-ring Ø230x3.53, Viton, Nitril 70 shore, NB 70	0.009
27	1		Oil sealing ring, Viton w. dust cap, Ø10 xØ22 x7	0.001
28	1		Oil sealing ring, Viton w. dust cap, Ø16 xØ28 x7	0.002
29	2		Hexagon head screw ISO 4017 / DIN 933 M6x25 Stainless A4	0.008
30	2		Hexagon head screw ISO 4017 / DIN 933 M8x16 Stainless A4	0.012
31	2		Hexagon head screw ISO 4017 / DIN 933 M8x30 Stainless A4	0.018
32	2		Hexagon head screw ISO 4017 / DIN 933 M8x35 Stainless A4	0.020
33	8		Hexagon head screw ISO 4017 / DIN 933 M12x30 Stainless A4	0.043
34	1		Hexagon head bolt ISO 4014 / DIN 931 M6x40 Stainless A4	0.012
35	2		Hexagon head bolt ISO 4014 / DIN 931 M8x120 Stainless A4	0.053
36	1		Hexagon head bolt ISO 4014 / DIN 931 M10x60 Stainless A4	0.048
37	1		Hexagon socket head cap screw ISO 4762 / DIN 912 M5x20 Stainless A4	0.005
38	5		Hexagon socket countersunk head screw ISO 10642 / DIN 7991 M6x16 Stainless A4	0.004
39	2		Hexagon socket countersunk head screw ISO 10642 / DIN 7991 M6x25 Stainless A4	0.006
40	4		Spring lock washer DIN 7980 M6 Stainless A4	0.001
41	6		Spring lock washer DIN 7980 M8 Stainless A4	0.001
42	3		Spring lock washer DIN 7980 M10 Stainless A4	0.002
43	8		Spring lock washer DIN 7980 M12 Stainless A4	0.003
44	1		Flat washer DIN 125A M8 Stainless A4	0.002
45	1		Prevailing torque hexagon nut ISO 7040 / DIN 982 M6 Stainless A4	0.003
46	1		Prevailing torque hexagon nut ISO 7040 / DIN 982 M10 Stainless A4	0.015
47	2		Hexagon regular nut ISO 4032 / DIN 934 M8 Stainless A4	0.005
48	1		Hexagon regular nut ISO 4032 / DIN 934 M14x1.5 Stainless A4	0.023

**BAY VALVES**  
Følstervej 10C - DK-5800 Nyborg - Denmark

Pressure vacuum valve, assembled  
Pressure vacuum valve  
Valve No.: 10257

Projection method:

Format: A1  
Scale: 1:5  
Rev.: 3

Weight: 137.5 kg  
Drawn: [ ]  
Appr.: [ ]

This drawing is the property of Bay Valves and may not be lent or copied in whole or in part without written permission from the owner.

No. 70089