

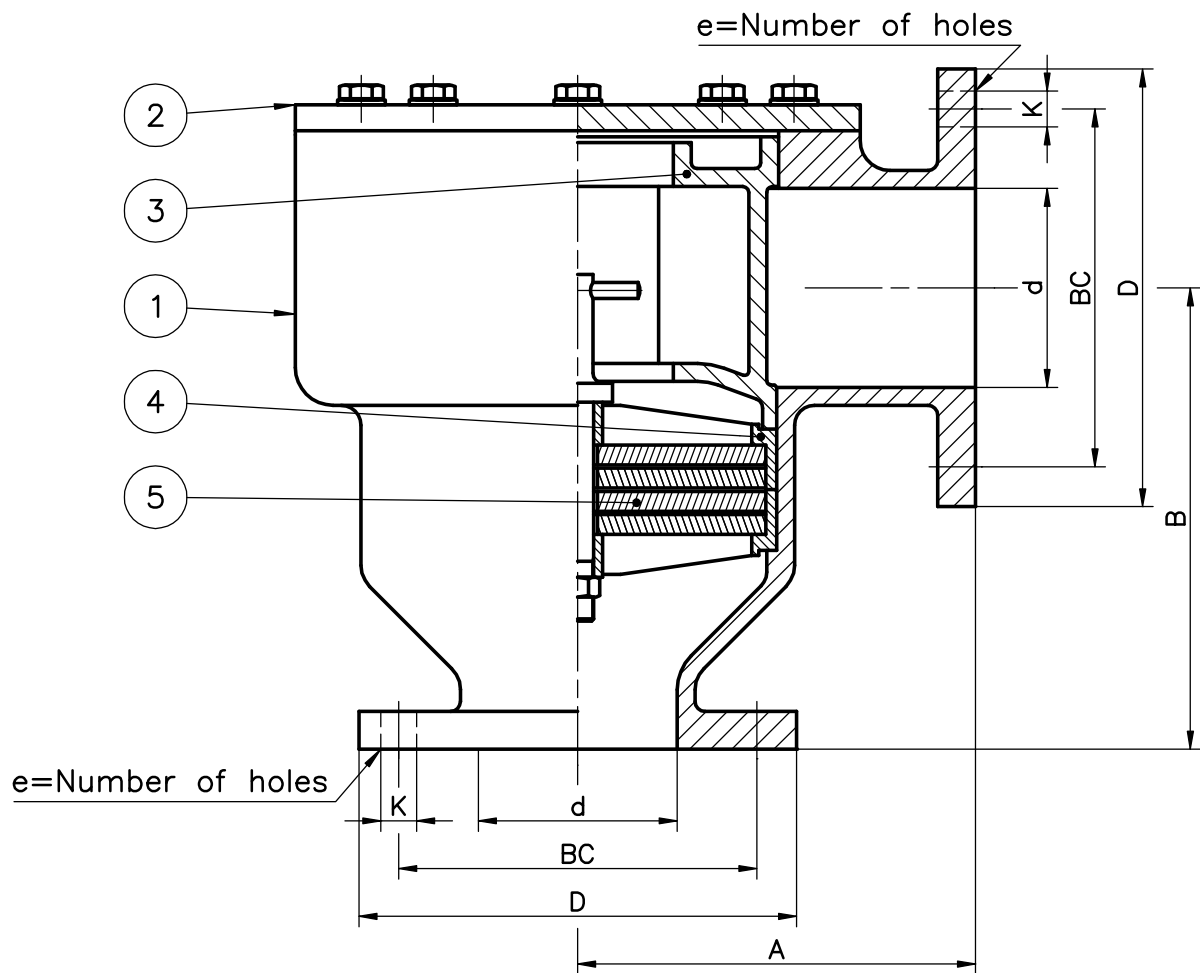
Drawing No.:	90007	Date: 24/11/2010	Page 1 of 1
Description:	Detonation flame arrester	Designation:	FLAD 1235

1	Housing
2	Cover
3	Flame control device
4	Flame screen holder
5	Flame screen

Available in all material combinations e.g. from Cast iron to Duplex stainless steel.

Approved according to IMO MSC / Circ 677

Type examination according to MED 96/98 latest 2002/75 EC provided by Bureau Veritas under Cert. No.19876/AO EC



d. [inch]	d. [mm]	BC [mm]	D. [mm]	e.	K [mm]	A[mm]	B[mm]
4	100	180	220	8	18	200	200
6	150	240	285	8	22	350	350
8	200	295	340	8	22	400	400

**BAY VALVES**

BAY Valves ApS – Falstervej 10G - 5800 Nyborg - Denmark