

BAY Valves ApS	Bay@bayvalves.com	Tel.: +45 7022 1892	Fax.: +45 7014 1892
Drawing No.:	90102	Date: 07/04/2017	Page 1 of 2
Description:	Set pressure portable Test bench for valves	Designation:	Portable 90102

1	Working air supply
2	Pressure Regulator
3	Pressure side testing
4	Vacuum ejector

5	Vacuum valve testing
6	Compound Gauge
7	Test air hose to valve
8	Gauge air hose

Test box for verification, adjustment and changing of setting on pressure-vacuum valves and High Velocity Valves.

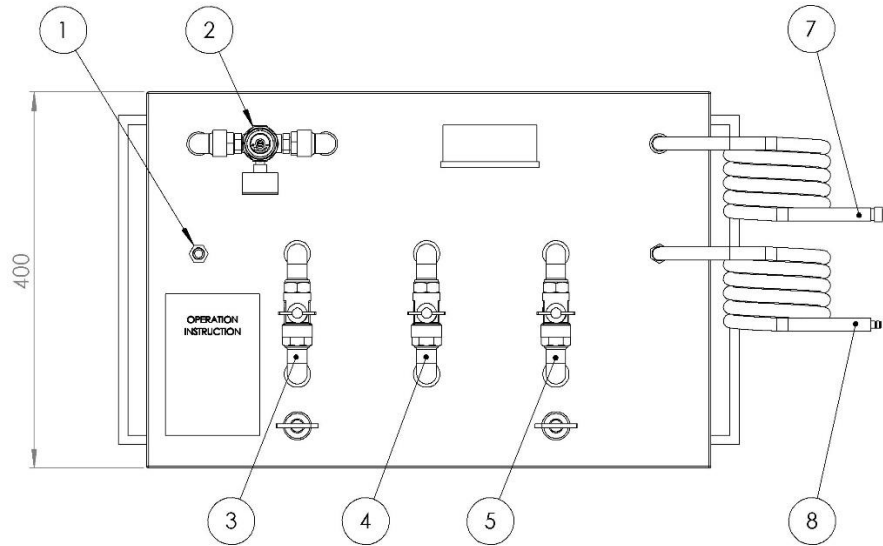
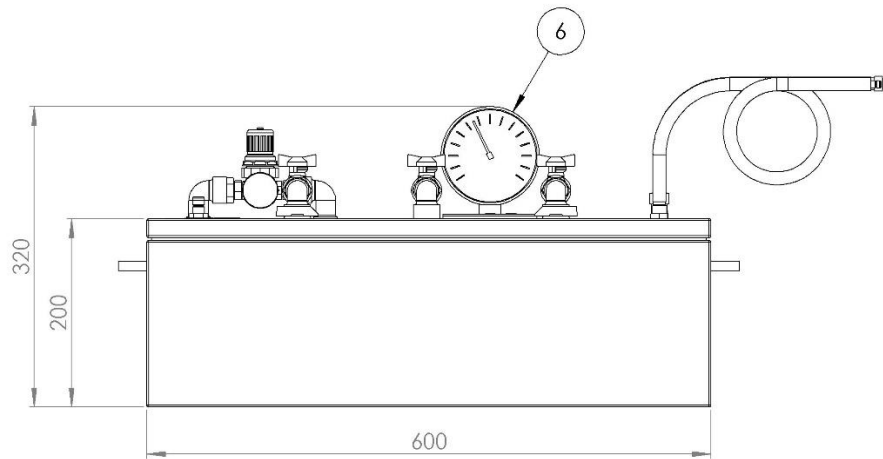
Manufactured in steel and coated.

Easy operation by working air.

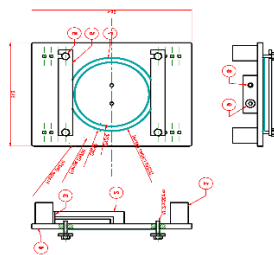
Pressure reading at gauge.

Can be operated in hazardous areas.

Suitable for all sizes



BAY VALVES	
1	Working air supply
2	Pressure Regulator
3	Pressure side testing
4	Vacuum ejector
5	Vacuum valve testing
6	Compound Gauge
7	Test air hose to valve
8	Gauge air hose



Adapter plate for P-V Valve testing
For more details –turn page

BAY VALVES

BAY Valves ApS • DK-5800 Nyborg • Denmark

BAY Valves ApS	Bay@bayvalves.com	Tel.: +45 7022 1892	Fax.: +45 7014 1892
Drawing No.:	90102	Date: 07/04/2017	Page 2 of 2
Description:	Set pressure portable Test bench for valves	Designation:	Portable 90102

SS AISI 316



Adapter plate

9	1	•	Nipple for compound gauge	0,15
8	1	•	Nipple for test air connection	0,07
7	1	•	Neopren 3mm rubber gasket	0,1
6	2	•	Retaining clamps	1,40
5	4	•	M12x50mm bolt	0,27
4	1	•	Adapterplate	18,19
3	1	•	Bracket	0,18
2	2	•	Protecting bracket	0,62
1	4	•	FOG	1,17
Pos	Qty	Forming no.	Description	Weight (kg)

Model	22 Kg
Weight	22 Kg
Material	SS AISI 316
Finish	Polished
Scale	1 : 1
Drawn	JTB
Checked	
Approved	

This drawing is the property of BAY Valves ApS and must be kept or copied in full or part without written permission from the owner.

BAY VALVES
Reference: 10G - DK-5800 Nyborg - Denmark
Production method: 3-A1
Scale: 1 : 1

BAY VALVES