

Drawing No.:	90010	Constant pressure system	VOCON
Description:	SuperSat	Designation:	VAPC 1255

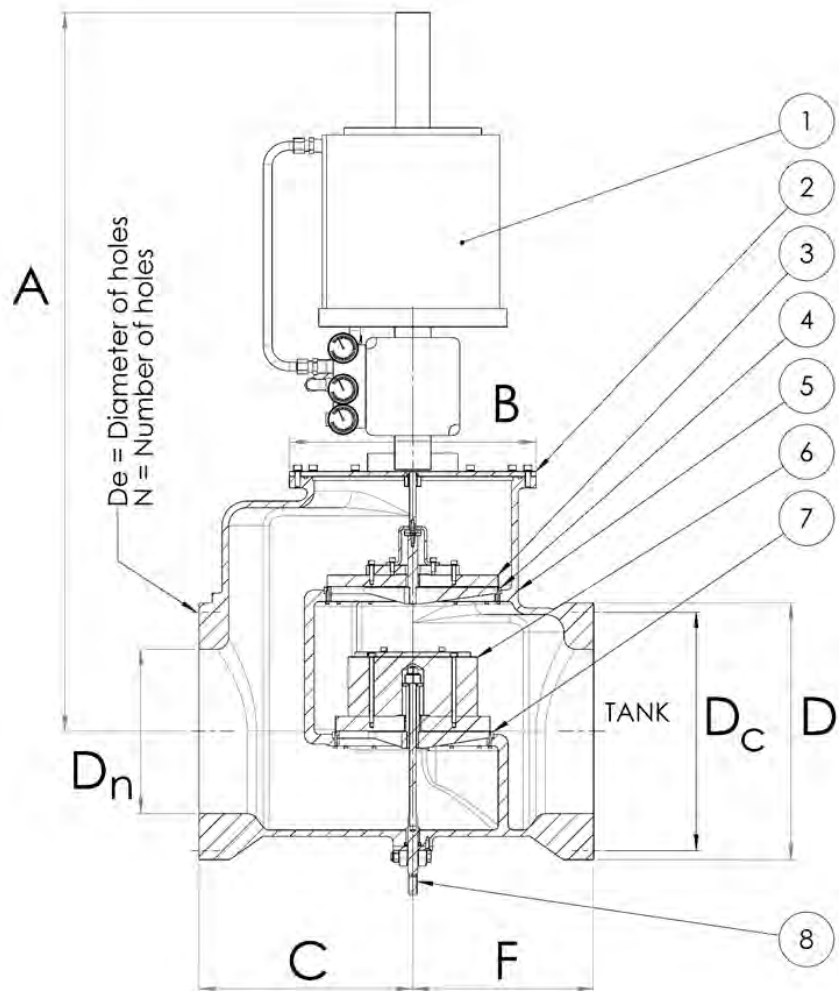
1	Pressure side actuator
2	Cover
3	Pressure side disc
4	Pressure side seat
5	Housing

6	Vacuum side disc
7	Vacuum side seat
8	Check lift

Available in all material combinations e.g. from Cast iron to Duplex stainless steel.

Approved according to IMO MSC / Circ 677

Provided fitted with a flame arrester at Outlet

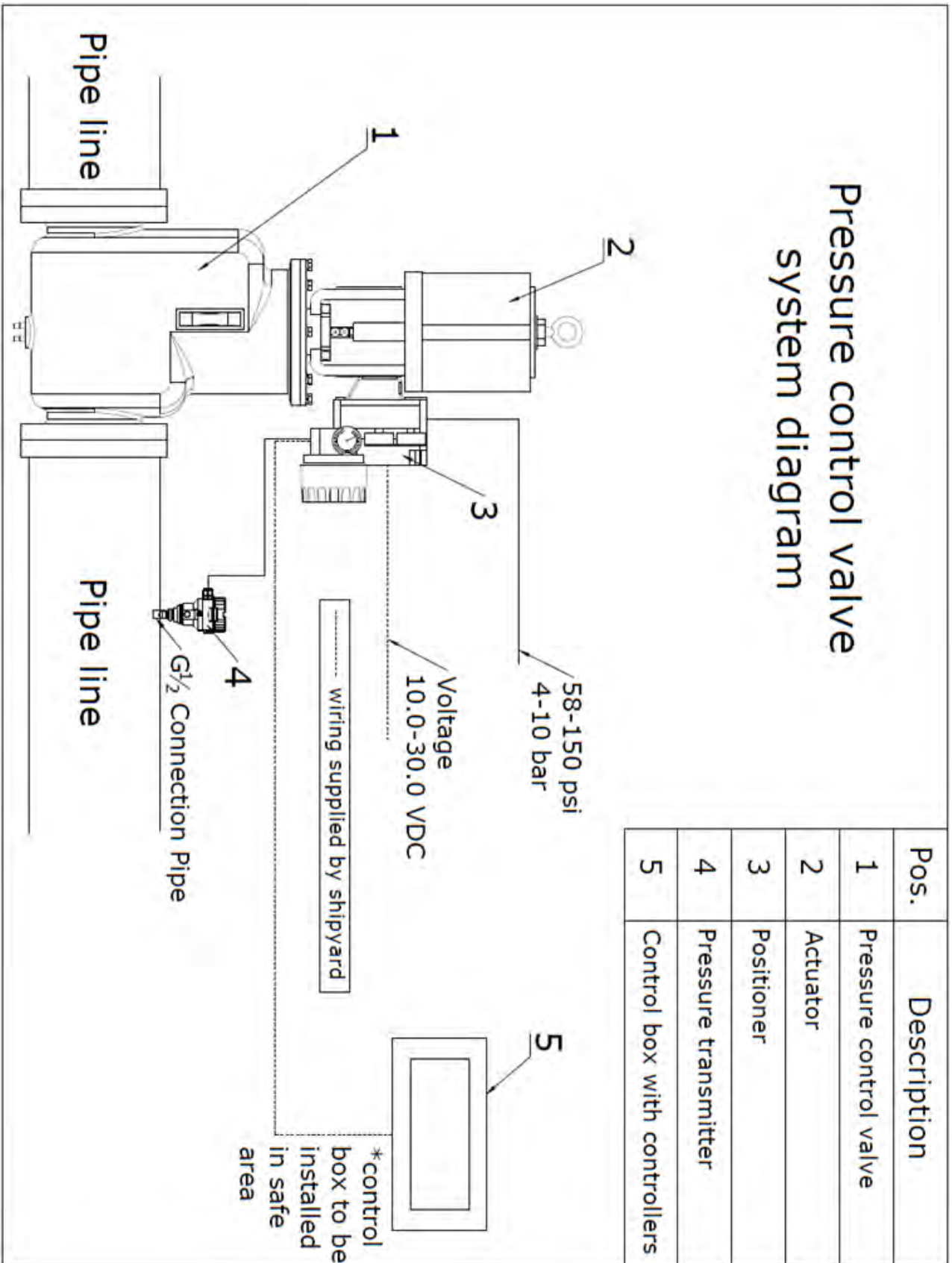


A	B	C	F	D	Dc	Dn	N	De	SIZE
980	270	215	165	285	240	150	8	22	150
1110	300	240	180	340	295	200	8	22	200
1330	500	375	250	445	400	300	12	22	300
1510	600	450	360	565	515	400	16	26	400
1590	600	520	400	615	565	450	20	26	500
1650	600	520	440	780	725	600	20	30	600

BAY VALVES

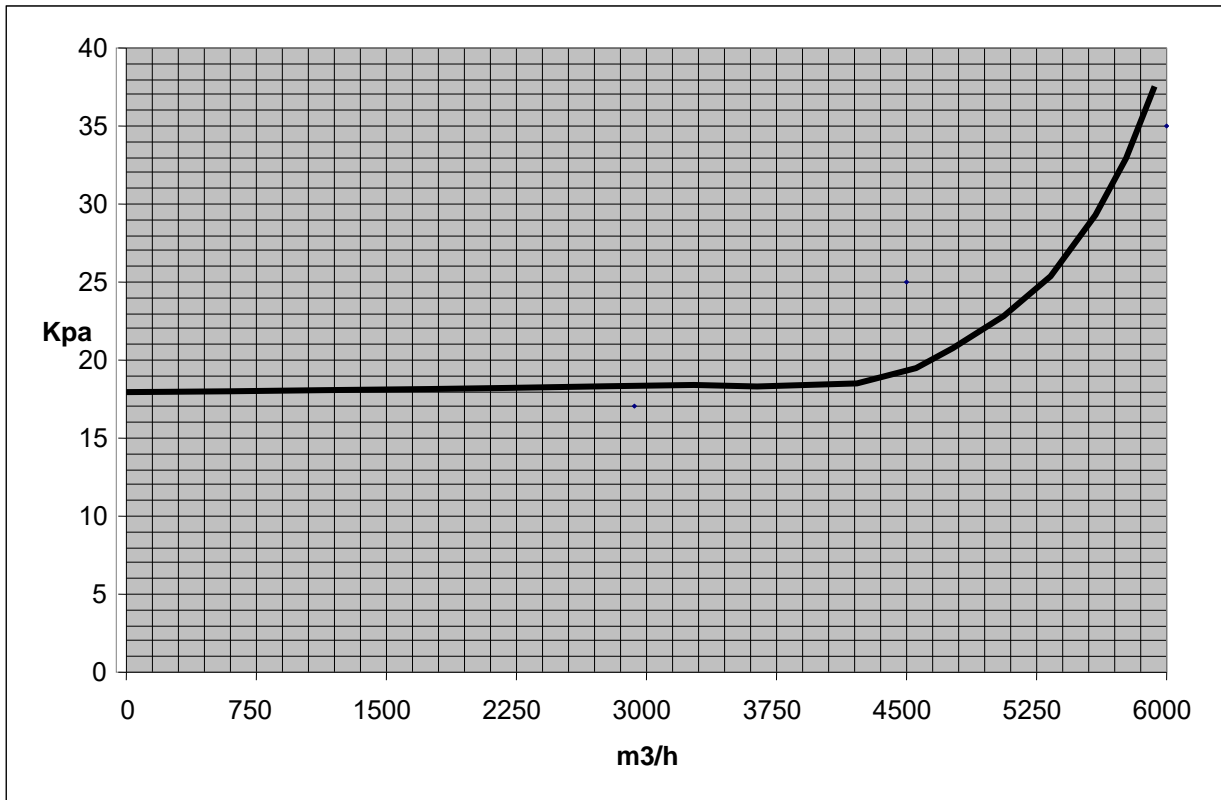
BAY Valves ApS – Falstervej 10G - 5800 Nyborg - Denmark

Pressure control valve system diagram



Document type:	Document No.:	Notified Body:	Certificate No.:
Flow diagram	90010-1255-150-018	DNVGL	To be informed

PRESSURE SIDE VALVE



Valve setting:	Lowest setting:	Valve capacity:	Conditions:
13,0 kPa	N.A.	4000 m ³ /h @ 13,0 kPa	AIR 21°C / 1013 hPa

	Applicable rules	Valve data	Data
	IMO MSC/Circ 677/1009	Name VAPV	Signature / Stamp
	ISO 15364	No. 1255	
	MED 96/98	Size 150	
	SOLAS 74	Restrictions:	Length [m] Bends [No]
√	API 2000	DN > 250	
√	API 520	DN 200	
		DN 150	
		MESG	N.A.

